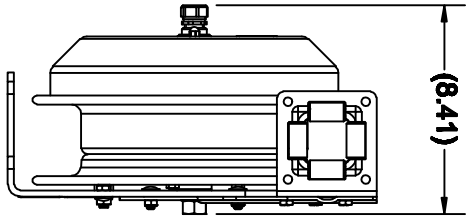
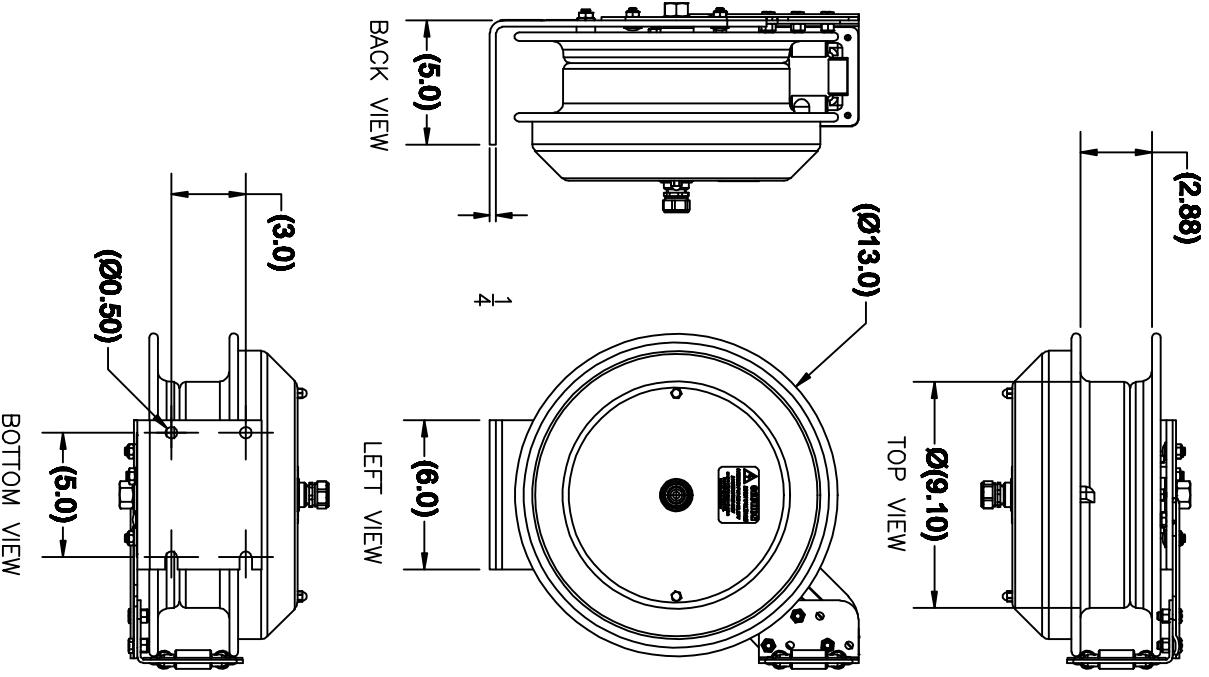
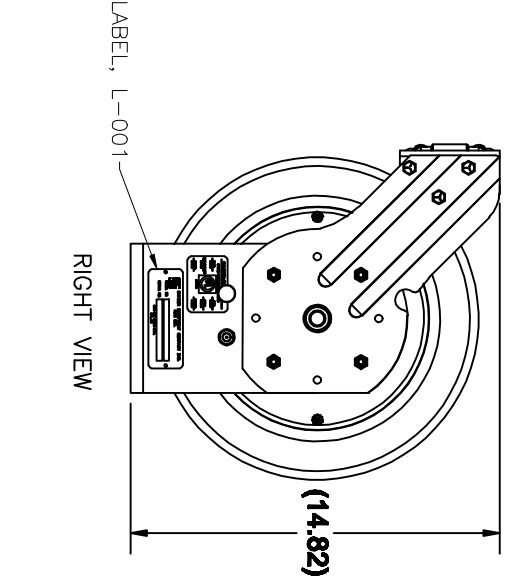


445-5-EL HEAVY DUTY SPRING REMWING HOSE REEL WILL HOLD 50' OF 16 GA. CORD



FRONT VIEW



RIGHT VIEW

- FEATURES:
- INCLUDES 5' PIGTAIL & GROUNDING PLUG
  - AUTO REMWIND EASILY WRAPS, STORES & PROTECTS ELECTRICAL CORD
  - HEAVY GUAGE STEEL BASE & SUPPORT POST
  - 1" SOLID STEEL AXLE WITH 1" LURICATED PRECISION BEARINGS
  - SOLID 1" STEEL CENTER SUPPORT SHAFT
  - FACTORY-MATCHED CARTRIDGE-STYLE SPRING MOTOR
  - ADJUSTABLE ARM GUIDE (WALL, FLOOR, CEILING & PIT)
  - HEAVY GUAGE POWDER COATED STEEL COMPONENT COVER
  - FOUR-ROLLER NON-SNAG HOSE GUIDE
  - EIGHT POSITION LOCKING RATCHET

SIZE	SHEET	REV	DATE	CAD/ENG	CHECKED	ENGINEER	DRAWING NO.	DATE
A	1 OF 1	A	4/29/09				445-5-EL SNYDER EQUIPMENT COMPANY INC. LOCOMOTIVE FUELING SYSTEMS NIXA, MISSOURI	445-5-EL
							445-5-EL SNYDER EQUIPMENT COMPANY INC. LOCOMOTIVE FUELING SYSTEMS NIXA, MISSOURI	445-5-EL
							445-5-EL SNYDER EQUIPMENT COMPANY INC. LOCOMOTIVE FUELING SYSTEMS NIXA, MISSOURI	445-5-EL

APRX LBS. 34